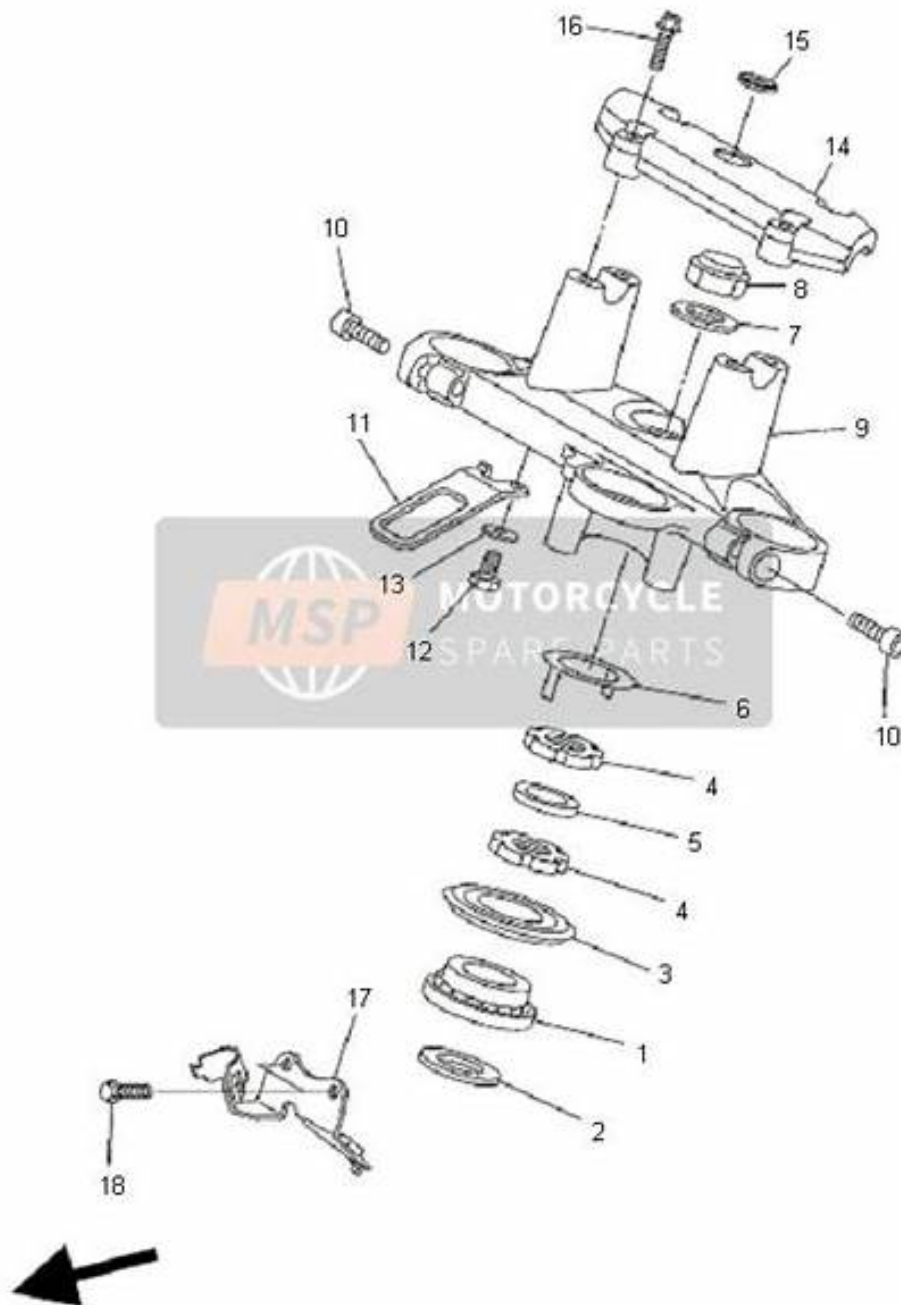


Yamaha Fz6 Shg Parts Catalog 2007



[DOWNLOAD] Yamaha Fz6 Shg Parts Catalog 2007. El Club de Diagramas es donde los tcnicos intercambian y comparten Diagramas, Manuales de Servicio y todo archivo de informacin tcnica til para las reparaciones electrnicas. Diagramas Y Manuales De Servicio De Motocicleta YAMAHA

[PDF EBOOKS] Yamaha Fz6 Shg Parts Catalog 2007. Book file PDF easily for everyone and every device. You can download and read online Yamaha Fz6 Shg Parts Catalog 2007 file PDF Book only if you are registered here. And also You can download or read online all Book PDF file that related with Yamaha Fz6 Shg Parts Catalog 2007 book. Happy reading Yamaha Fz6 Shg Parts Catalog 2007 Book everyone. Download file Free Book PDF Yamaha Fz6 Shg Parts Catalog 2007 at Complete PDF Library. This Book have some digital formats such us : paperback, ebook, kindle, epub, and another formats. Here is The Complete PDF Book Library. It's free to register here to get Book file PDF Yamaha Fz6 Shg Parts Catalog 2007.