

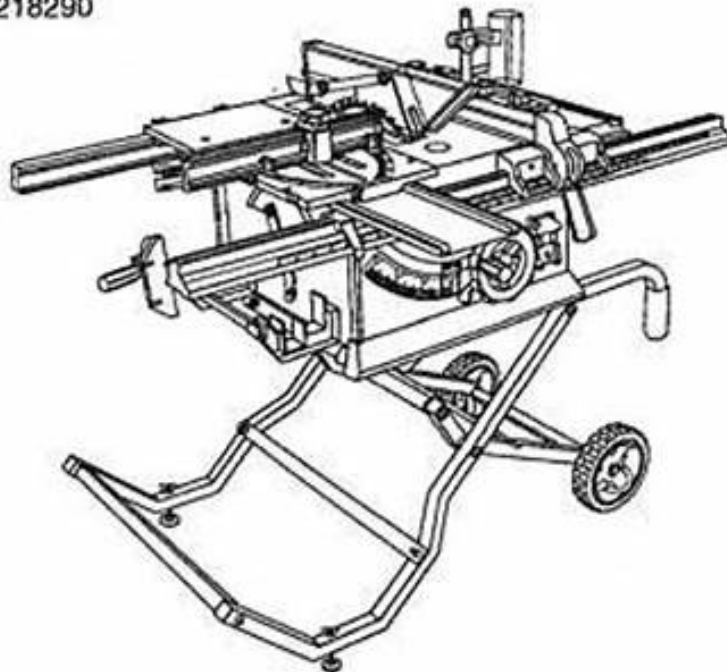
Manual Craftsman 10 Inch Table Saw

Operator's Manual

CRAFTSMAN

10 in. TABLE SAW

Model No.
315.218290



WARNING: To reduce the risk of injury, the user must read and understand the operator's manual before using this product.

Customer Help Line: 1-800-932-3188

Sears, Roebuck and Co., 3333 Beverly Rd., Hoffman Estates, IL 60179 USA
Visit the Craftsman web page: www.sears.com/craftsman

983000-693
7-15-05



[DOWNLOAD] Manual Craftsman 10 Inch Table Saw. Download Manual for Model 113299040 CRAFTSMAN CRAFTSMAN 10 INCH TABLE SAW.Sears PartsDirect has parts, manuals part diagrams for all types of repair projects ... Model 113299040 CRAFTSMAN TABLE SAW - Manuals and Guides. View the owners manual for your CRAFTSMAN TABLE SAW Model #113299040. OWNER_MANUAL. OWNER_MANUAL. Download Manual PDF. 113299040 CRAFTSMAN CRAFTSMAN 10 INCH TABLE SAW Manual

[PDF EBOOKS] Manual Craftsman 10 Inch Table Saw. Book file PDF easily for everyone and every device. You can download and read online Manual Craftsman 10 Inch Table Saw file PDF Book only if you are registered here. And also You can download or read online all Book PDF file that related with Manual Craftsman 10 Inch Table Saw book. Happy reading Manual Craftsman 10 Inch Table Saw Book everyone. Download file Free Book PDF Manual Craftsman 10 Inch Table Saw at Complete PDF Library. This Book have some digital formats such us : paperbook, ebook, kindle, epub, and another formats. Here is The Complete PDF Book Library. It's free to register here to get Book file PDF Manual Craftsman 10 Inch Table Saw.

Craftsman 10 IN TABLE SAW 31522811 Owners Manual

View and Download Craftsman 10 IN. TABLE SAW 315.22811 owner's manual online. 10 in. TABLE SAW. 10 IN. ... See Figure 7. For maximum performance, it is recommended you use the Craftsman 40 tooth, 10 inch carbide tipped combination blade provided with your saw. ... is there such a manual for the craftsman 10 table saw,i have looked everywhere ...

113298032 CRAFTSMAN CRAFTSMAN 10INCH TABLE SAW Manual

Download Manual for Model 113298032 CRAFTSMAN CRAFTSMAN 10-INCH TABLE SAW.Sears PartsDirect has parts, manuals part diagrams for all types of repair projects ... Model 113298032 CRAFTSMAN TABLE SAW - Manuals and Guides. View the owners manual for your CRAFTSMAN TABLE SAW Model #113298032. OWNER_MANUAL. OWNER_MANUAL. Download Manual PDF.

Craftsman 10 Inch Table Saw Model 113 Manual

Sears craftsman table saw manual no 113 299040 315 228390 craftsman 10 inch stationary table saw manual sears craftsman table saw manual model 113 295750 craftsman table saw manual model 113 298031 on popscreen. Share this: Click to share on Twitter (Opens in new window)

SOLVED Manual For Craftsman 10 Inch Table Saw Model Fixya

Apr 14, 2017Manual for craftsman 10 inch table saw model 818320 I need the manual for this tablesaw so I can figure out how to - Craftsman Saws question

Craftsman 10 Inch Table Saw Model 11327520 Manual

Craftsman 10 Inch Table Saw Model 113.27520 Manual . Custom Search . All

Other Old Woodworking Tools Articles. ... Craftsman Tool Manuals Craftsman tool manuals and catalogs that can be downloaded for free. Rockwell Tool Manuals Download free Rockwell tool manuals and catalogs

Free Craftsman Saw User Manuals ManualsOnlinecom

We need a manual for a Sears Craftsman Air Compressor ... Need maintenance Manuel ... any info. on model #91952920 would be helpful espe... Craftsman 919.175251...

Craftsman Table Saw Manuals EBay

Find great deals on eBay for craftsman table saw manuals. Shop with confidence. Skip to main content. eBay Logo: ... SEARS CRAFTSMAN 10-INCH TABLE SAW OWNERS MANUAL 113.29570 113.295750. Pre-Owned. \$10.99. Buy It Now +\$2.75 shipping. Sears Craftsman Table Saw Manual Model # 315.218050. Refurbished.

Craftsman 10quot Table Saw With Laser Trac Searscom

The Craftsman 10 table saw is great for a variety of projects, from ripping sheets of plywood and slotting boards to building perfect boxes. ... Owners manual - English ... extend them any at all and they drop down below the cutting table by as much as a half inch if not more when fully extended.You will have to prop the extensions up with ...