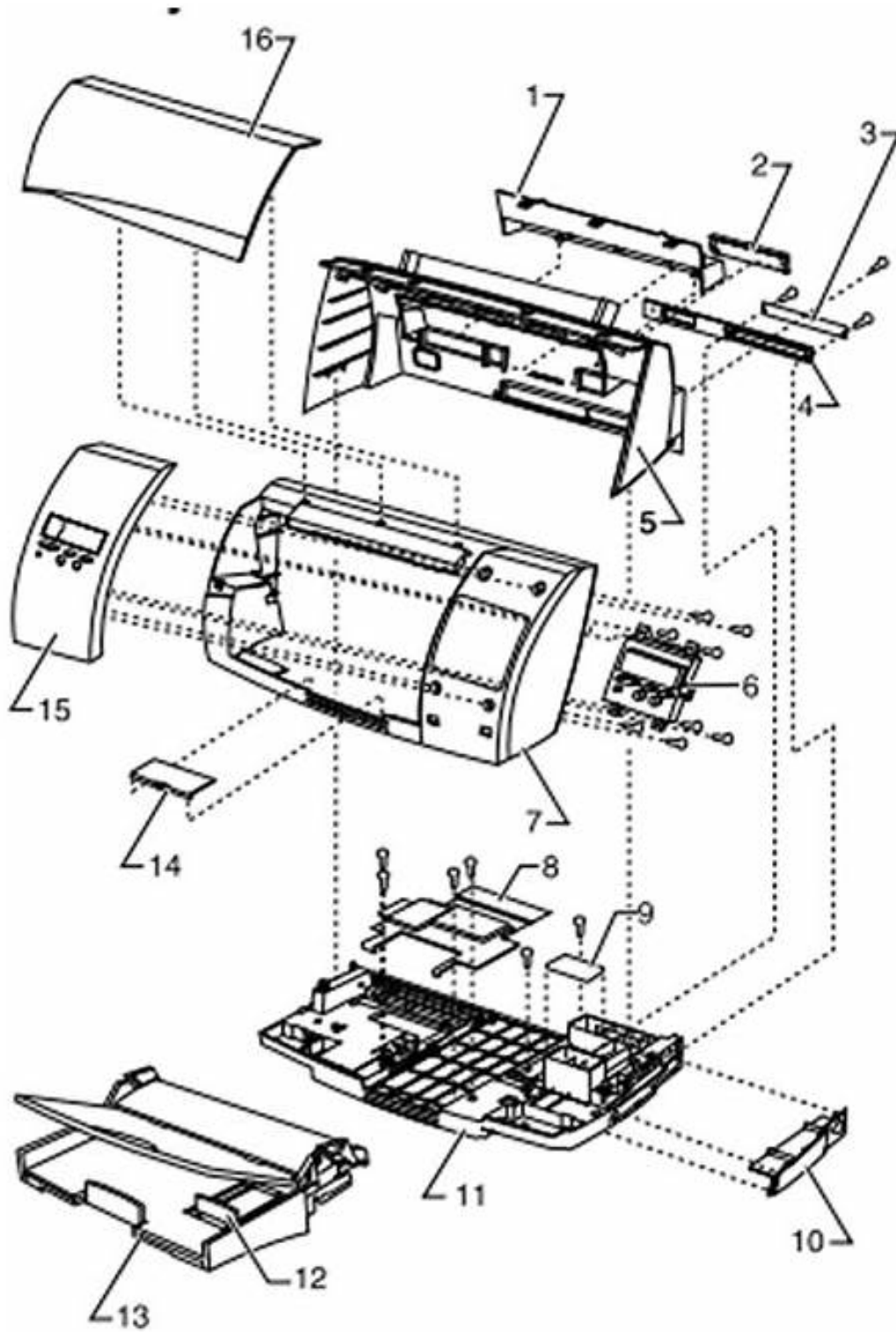


# Lexmark Optra T61x Service Manual Parts List



[DOWNLOAD] Lexmark Optra T61x Service Manual Parts List. Service Manual Parts List Lexmark Optra T61X; This service manual, is the full Lexmark Optra T61X Service Repair Manual. This manual, Lexmark Optra T61X, is in the PDF format and have detailed Diagrams, pictures and full procedures to diagnose and repair your Lexmark Optra T61X copier. You can print, zoom or read any diagram, picture or page from this Service Manual. Every chapter on this manual â€| Lexmark Optra T61X Workshop Service Repair Manual

[PDF EBOOKS] Lexmark Optra T61x Service Manual Parts List. Book file PDF easily for everyone and every device. You can download and read online Lexmark Optra T61x Service Manual Parts List file PDF Book only if you are registered here. And also You can download or read online all Book PDF file that related with Lexmark Optra T61x Service Manual Parts List book. Happy reading Lexmark Optra T61x Service Manual Parts List Book everyone. Download file Free Book PDF Lexmark Optra T61x Service Manual Parts List at Complete PDF Library. This Book have some digital formats such us : paperback, ebook, kindle, epub, and another formats. Here is The Complete PDF Book Library. It's free to register here to get Book file PDF Lexmark Optra T61x Service Manual Parts List.

#### **Lexmark Optra T61x Service Manual Ebook List**

Ebook Lexmark Optra T61x Service Manual currently available at [www.saludeslab.org](http://www.saludeslab.org) for review only, if you need complete ebook Lexmark Optra T61x Service Manual please fill out registration form to access in our databases.

#### **Lexmark Optra T61x Manual Workshop Service Repair Manual**

Lexmark Optra T61x Service manual is a professional book in which you can get a better understanding of Lexmark Optra T61x. This Service Manual contains comprehensive instructions and procedures of high quality on how to fix the problems in your car, which can save you a lot of time and help you to decide the best with ease.

#### **Lexmark Optra E310 Manuals**

Lexmark Optra E310 Manuals Manuals and User Guides for Lexmark Optra E310. We have 5 Lexmark Optra E310 manuals available for free PDF download: Reference, Service Manual, Label Manual, User Manual, Technical Instructions

#### **Lexmark Optra T Service Manual Servicerepairmanualsnet**

Lexmark Optra T Laser Printer Service Manual by SRmanuals is scanned from original paperback copy of the Lexmark Optra T Laser Printer Service Manual and are guaranteed for high quality scans. We have tried utmost care to make sure completeness of manual.

#### **1998 Polaris Xplorer 400l Parts Manual Ebook List**

Lexmark Optra T61x, Service Manual Parts List, Mtd 611 D Manual, Manual Citroen C4 Download, 1968 1974 Honda Z50 Motorcycle Repair Manual Pdf, Maserati Quattroporte 2006 2007 Service Repair Manual, Mathematics N3 Memorandum, Suzuki Ts500 Ts500 Ii Motorcycle Complete Workshop Service Repair Manual, Honda 125 150

### **Optra T614 Lexmark Support**

Please enter the email address you would like to send a copy of this page to. Send

### **TableofContents StartDiagnostics SafetyandNotices**

Comments may be addressed to Lexmark International, Inc., D22A/035-3, 740 New Circle Road NW, Lexington, Kentucky 40550, U.S.A. Lexmark may use or distribute any of the information you supply in any way it believes appropriate without incurring any obligation to you.

### **Lexmark Optra T610 Manuals**

Lexmark Optra T610 Manuals Manuals and User Guides for Lexmark Optra T610. We have 12 Lexmark Optra T610 manuals available for free PDF download: Reference, User Manual, Administrator's Manual, Manual, Setup Manual, Driver Manual, Tech Note, Installation Instructions

### **Genuine Parts Lexmark United States**

To learn more about Lexmark's Fuser BLI evaluation, [click here](#). Count on Genuine Lexmark Parts, worldwide parts availability and Lexmark break-fix services to keep your Lexmark devices running at top efficiency and performance. To learn more about the advantages of Genuine Lexmark Partsâ€¦