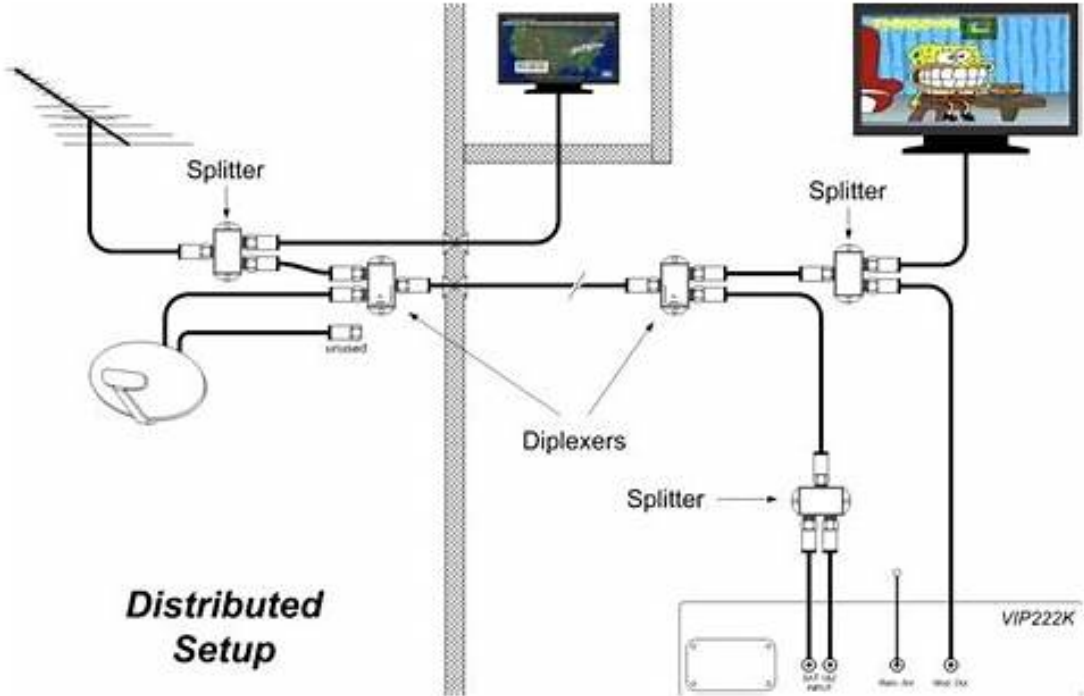


Dish Network Hopper Installation Manual



[DOWNLOAD] Dish Network Hopper Installation Manual. View and Download Dish Network Hopper user manual online. WHOLE-HOME HD DVR SYSTEM. Hopper Security System pdf manual download. Also for: Whole-home hd dvr system. DISH NETWORK HOPPER USER MANUAL Pdf Download

[PDF EBOOKS] Dish Network Hopper Installation Manual. Book file PDF easily for everyone and every device. You can download and read online Dish Network Hopper Installation Manual file PDF Book only if you are registered here. And also You can download or read online all Book PDF file that related with Dish Network Hopper Installation Manual book. Happy reading Dish Network Hopper Installation Manual Book everyone. Download file Free Book PDF Dish Network Hopper Installation Manual at Complete PDF Library. This Book have some digital formats such us : paperbook, ebook, kindle, epub, and another formats. Here is The Complete PDF Book Library. It's free to register here to get Book file PDF Dish Network Hopper Installation Manual.

DISH Network Brochures And User Manuals DISH Systems

DISH-Systems.com by Connect Your Home (corporate office | 4700 South Syracuse Street | Suite 510 | Denver, CO | 80237 | 866-989-3474) is an authorized independent retailer of DISH Network L.L.C. DISH Network and their respective logos are registered trademarks and/or service marks of DISH Network L.L.C. and/or its affiliate(s).

Overview Of DISH Receivers MyDISH DISH Customer Support

DISH Receivers. Select your receiver below to learn more about its features and functionality to enhance your TV-viewing experience! If you're unsure of your receiver ...

Portable Dish Pointing Angle Guide MyDISH DISH

Dish Pointing Angle Guide. To find your signal strength on a Hopper or Wally receiver, go to Menu Settings Diagnostics Dish To find your signal strength on a ViP receiver, go to Menu System Setup Installation Point Dish.

Dish Network Hopper With Sling Manuals And User Guides

Dish Network Hopper with Sling Manuals User Guides. User Manuals, Guides and Specifications for your Dish Network Hopper with Sling DVR, Receiver, Remote Control. Database contains 2 Dish Network Hopper with Sling Manuals (available for free online viewing or downloading in €|

Dish Hopper Users Manual Free PDF Download 138 Pages

Read and download Dish DVR Hopper User's Manual online. Download free Dish user manuals, owners manuals, instructions, warranties and installation guides, etc.

Dish Network User Manuals Download ManualsLib

View download of more than 290 Dish network PDF user manuals, service manuals, operating guides. Receiver, Remote control user manuals, operating guides specifications.