

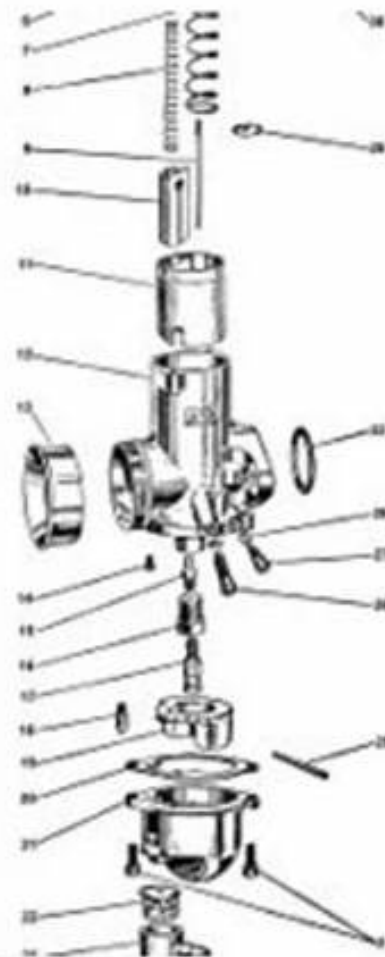
# Bsa D14 Instruction Manual



## BSA D14 INSTRUCTION MANUAL



- 9. NEEDLE
- 10. AIR SLIDE
- 11. THROTTLE SLIDE
- 14. PILOT JET
- 15. NEEDLE JET
- 16. NEEDLE JET HOLDER
- 17. MAINJET
- 18. FLOAT NEEDLE
- 19. FLOAT
- 26. THROTTLE STOP SCREW
- 27. PILOT AIR SCREW



[DOWNLOAD] Bsa D14 Instruction Manual. View and Download BSA Bantam Supreme D14/4 instruction manual online. 175 c.c.. Bantam Supreme D14/4 Motorcycle pdf manual download. Also for: Bantam sports d14/4s, Bushman d14/4b. BSA Bantam Supreme D144 Instruction Manual

[PDF EBOOKS] Bsa D14 Instruction Manual. Book file PDF easily for everyone and every device. You can download and read online Bsa D14 Instruction Manual file PDF Book only if you are registered here. And also You can download or read online all Book PDF file that related with Bsa D14 Instruction Manual book. Happy reading Bsa D14 Instruction Manual Book everyone. Download file Free Book PDF Bsa D14 Instruction Manual at Complete PDF Library. This Book have some digital formats such us : paperback, ebook, kindle, epub, and another formats. Here is The Complete PDF Book Library. It's free to register here to get Book file PDF Bsa D14 Instruction Manual.

#### **BSA Motorcycle Manuals PDF, Wiring Diagrams Amp Fault Codes**

BSA Motorcycle Manuals PDF Wiring Diagrams download free - AMAL Carb, D1,D3, D5, A10, D14, BSA Motorcycles Brand History. ... BSA D14 instruction manual.pdf. Adobe Acrobat Document 698.4 KB. Download. BSA Gold Star. BSA Super Rocket. BSA Motorcycles History.

#### **NIGHTWITCHBODYARTCOM PDF Books And Manual Library**

Bsa D14 Instruction Manual User 2019 This is to find out the quality of typically the editor (the procedure for getting ready sentences) in the Bsa D14 Instruction Manual User 2019. Create a sample of one or two websites at random, then try reading typically the page until its concluded.

#### **BSA D144 Motorcycle Instruction Manual**

BSA D14/4 Bantam Supreme 175 cc BSA Bantam Sports D14/S BSA Bushman D14/4B Instruction Manual (nicely reprinted, rusty staples[but solid] due to storage) Technical Data Taking Over The Machine (Controls) Driving Engine Amal Caburetter Transmission Wheels Steering and Suspension The Electrical System 2 Wiring Diagrams 42 pages 11 Diagrams

#### **D7223c Bsa Instruction Manual Accwamorg**

[d7223c] - Bsa Instruction Manual view and download bsa bantam supreme d14 4 instruction manual online 175 cc bantam supreme d14 4 motorcycle pdf manual download also for bantam sports d14 4s bushman d14 4b view and download bsa b50 series owners handbook manual online b50 series motorcycle pdf manual download also for

#### **Bsa D14 Instruction Manual Crossingscondocom**

Ebook Bsa D14 Instruction Manual currently available at [www.crossingscondo.com](http://www.crossingscondo.com) for review only, if you need complete ebook Bsa D14

Instruction Manual please €|

#### **BSA D14 Instruction Manual Emanualonlinecom**

BSA D14 Instruction Manual. BSA D14 Instruction Manual. 10.99. available options. Format: Add to Cart. description Product Reviews. The Instruction manual what will be send to you will contain all the necessary needed information to have a safe ride on your bike.. The same manual is used by your dealer when you purchase a new bike. ...

#### **D144 WORKSHOP MANUAL 1and1**

The BSA Bantam library. Instruction Manuals (all models) Wiring Diagrams (all models) Workshop manual (D14 only)

#### **Free BSA Motorcycle Service Manuals For Download**

Free BSA Motorcycle Service Manuals for download. Lots of people charge for motorcycle service and workshop manuals online which is a bit cheeky I reckon as they are freely available all over the internet. 5 each online or download your BSA manual here for free!!

#### **BSA Motorcycle Manuals Classic Motorbikes**

Classic-Motorbikes.Net presents BSA motorcycle manuals. Our massive database contains many classic and vintage bikes. Our BSA manuals range from service manuals to information booklets ... Browse The BSA Manuals: BSA D14/4 Bantam Supreme, Sports and Bushman Workshop Manual D14/4 Bantam Supreme, Sports and Bushman (0000) BSA B44 C25 B25 Workshop ...