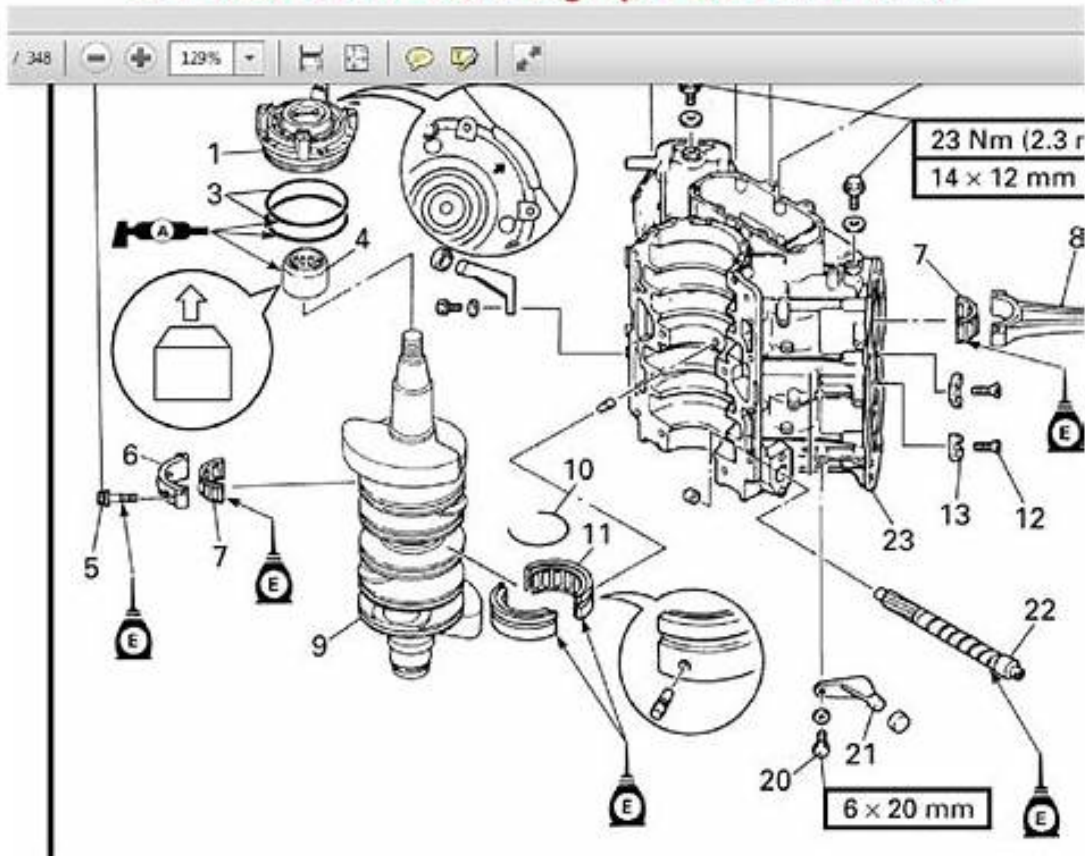


2001 Yamaha F25 Esrz Outboard Service Repair Maintenance Manual Factory Service Manual

Yamaha F25 Outboard Service Repair Manual. Pid Range:
65w-1025569~1034266 Mfg April 2005 And Newer



Order	Job/Part	Q'ty	Remark
	Cylinder heads		Refer to "CYLINDER HEADS" page 5-36.
	Crankcase		Refer to "CRANKCASE"
1	Upper bearing housing	1	
2	Oil seal	1	

[DOWNLOAD HERE](#)

